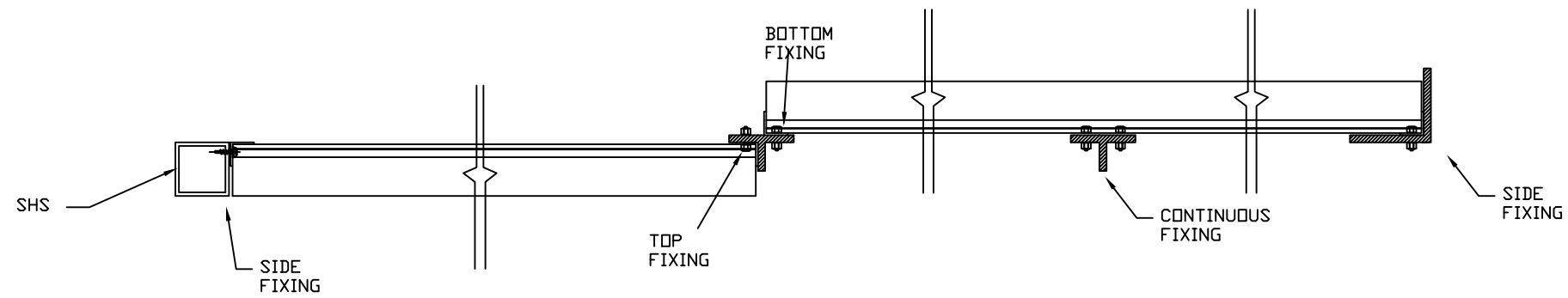



DUET MULTISCREEN
 TYPICAL FIXING METHODS TO STRUCTURAL
 STEEL WORK



A	FOR APPROVAL	19/02
Rev	Description	Date
 element control systems commercial louvres & solar shading		
34 WINGFIELD Road WINGFIELD SA 5013 ABN 20 143 060 360 Telephone (08) 8243 0011 Facsimile (08) 8243 0711		
Project DUET_MULTISCREEN		
Title TYPICAL_FIXING_METHODS TO_STRUCTURAL_STEEL_WORK		
Drawn	TW	Checked HW
Date	03/03/15	Scale SCALE
Drawing No.	DMS-01	Revision No. REV_A